

# FLAVOR MATCHING PAINS of a SUCCESSFUL BREWERY



5 X Capacity Increase

Low Technology to State of the Art

Manual to Automated

Minimal SOP's

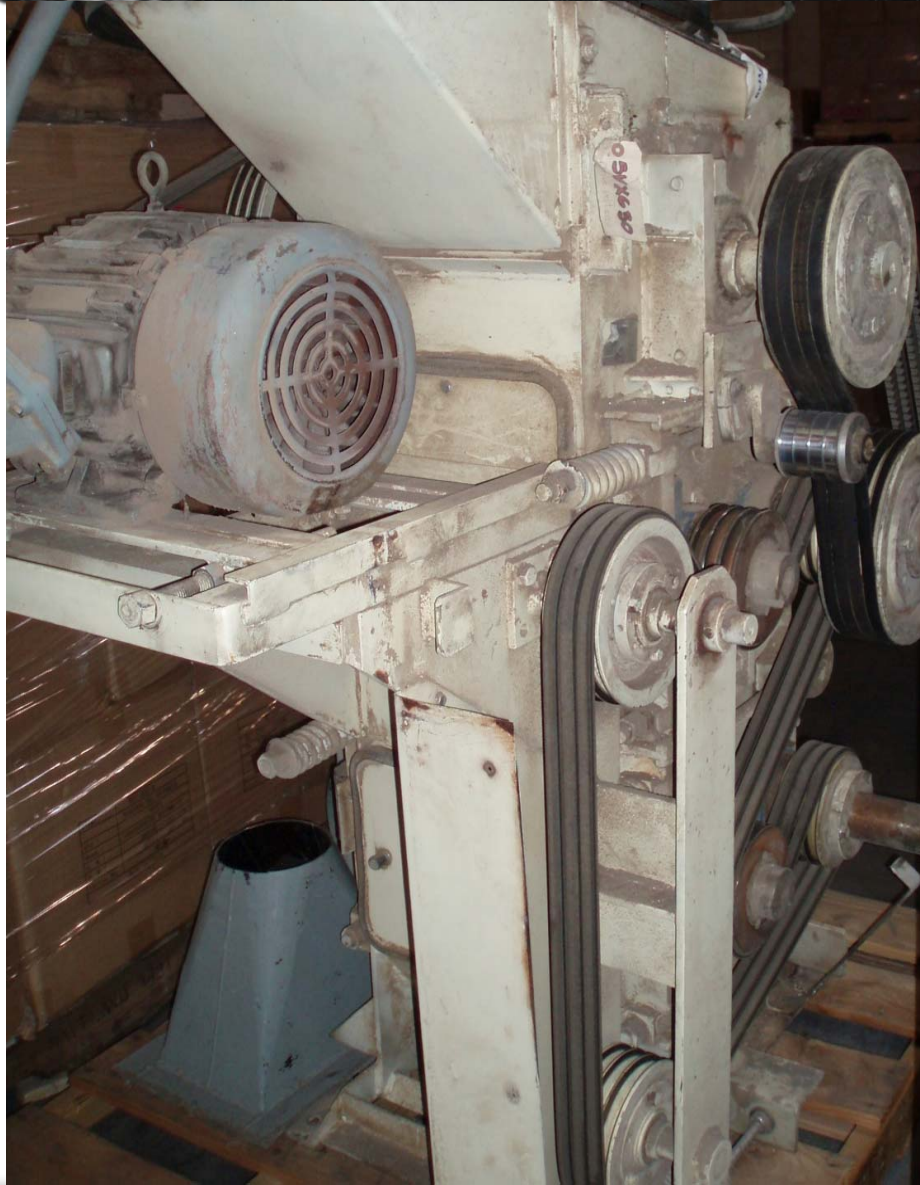
Basic Laboratory and Sensory  
Systems





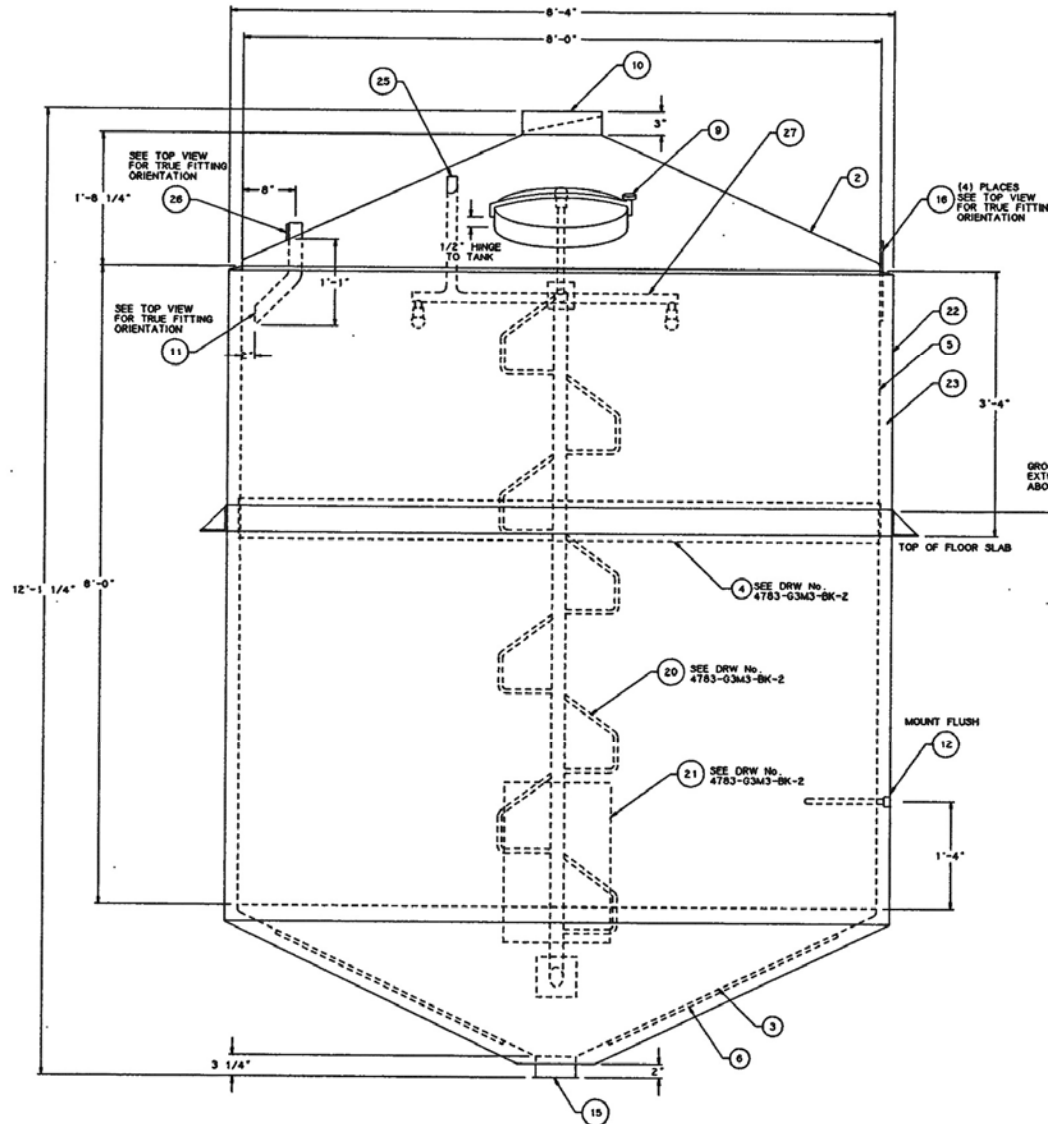


# Existing Equipment Challenges







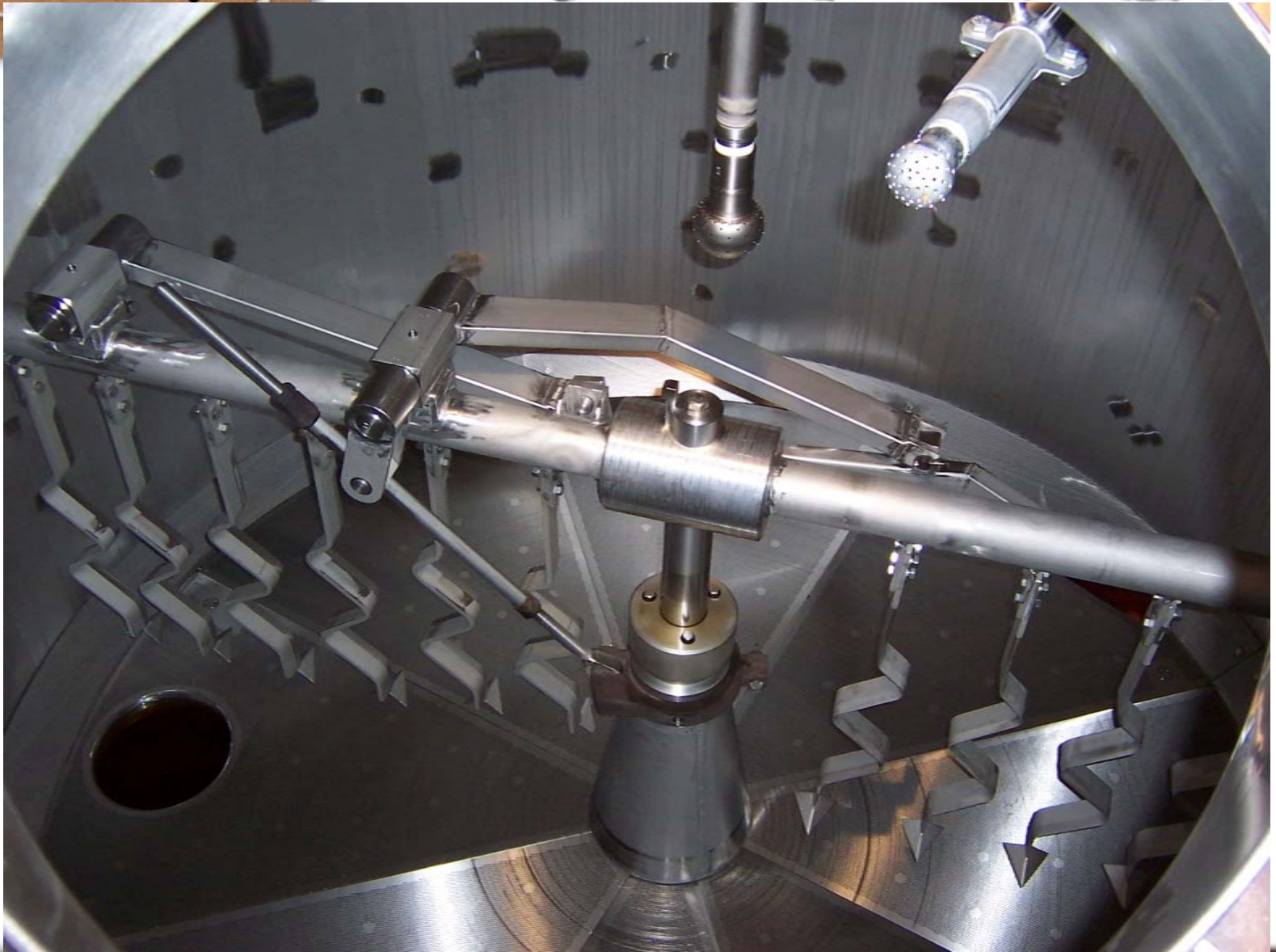
























Exact Flavor Match of Existing

Exact Flavor Match of Existing

Exact Flavor Match of Existing

Exact Flavor Match of Existing

Exact Flavor Match of Existing



Limited Training on New Technology

Limited Sensory Analysis

Limited Laboratory Services

Limited Sensory Historical Data

Limited Laboratory Historical Data

Limited SOP's





Standard Operating Procedures

Staff Programmer

Expanded Laboratory

Sophisticated Sensory Panel



**crux**  
fermentation project.



**ALL'S WELL THAT ENDS WELL**



**PROBLEMS THAT OCCUR ALONG THE WAY DO NOT  
MATTER AS LONG AS THE OUTCOME IS HAPPY**



**CHICAGO JUNE 6, 2014**

**crux**   
fermentation project.



**Thank you and Cheers!**



*Chicago June 6, 2014*